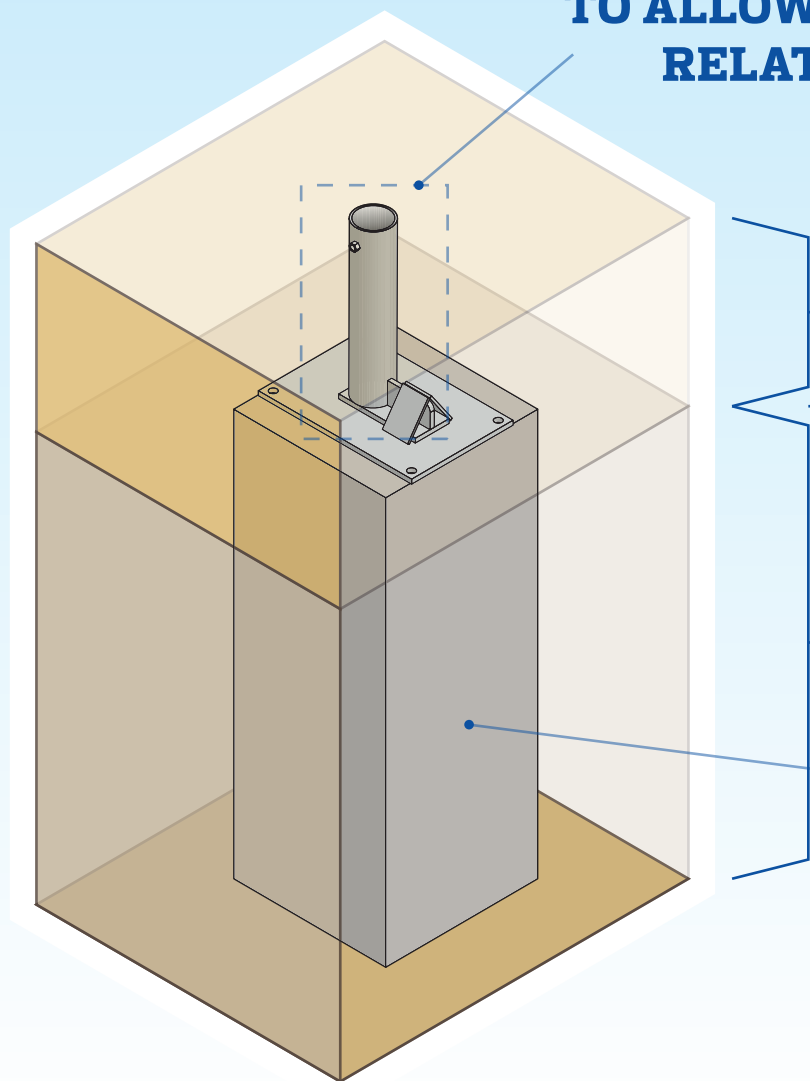


## **REMOVABLE SAND COURT SLEEVE WITH PERMANENT BASE**

**TOP PART OF SLEEVE CAN BE REMOVED COMPLETELY  
TO ALLOW USE OF SAND COURT FOR OTHER SAND  
RELATED SPORTS**

**6 'J' BOLTS TO BE INSTALLED TO  
SECURE SLEEVE TO CONCRETE**



**SAND**

**SAND PRESERVATION FABRIC**

**DIRT**

**CONCRETE TO BE  
18" X 18" X 48" DEEP**

**425-576-8835 / 1-800-494-3933**