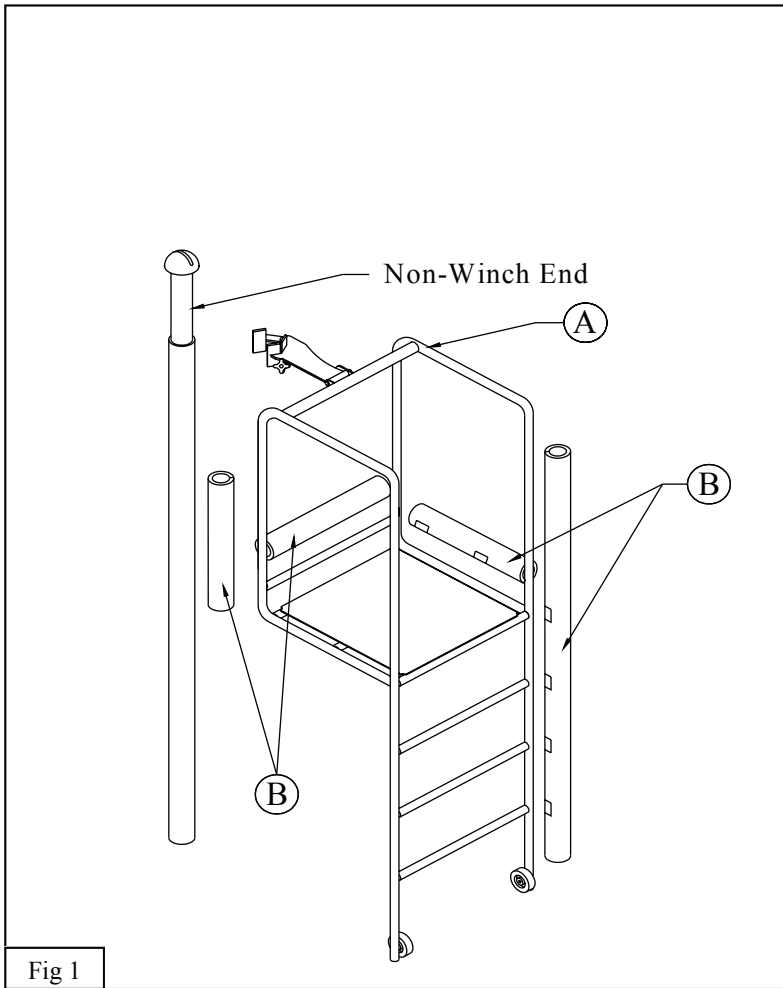




CLAMP-ON REFEREE STAND ASSEMBLY INSTRUCTIONS

UNITED VOLLEYBALL SUPPLY, LLC.
14615 NE 91ST ST, BLDG B,
REDMOND, WA 98052 • 1996-2007©
VOLLEYBALLUSA.COM
PH: 1-800-494-3933
FAX: 425-827-2230



1. Set up volleyball posts, net and padding completely.

2. Install Safety Padding (B) on Officials Stand (A) as shown. See Figure 1.

3. Pull release pin on clamp arm and rotate from storage position to position shown in figure 1 and 2. Make sure the release pin is locked into position, the clamp arm is designed to float to allow for possible flex in standards.

4. Remove the rubber covers from the clamp arm jaw. Attach Spacer Block (C) to clamp arm jaw with 1/4" X 1" Hex Bolts (D). See Figure 3.

5. Turn clamp knob counter clockwise until the opening allows you to attach Official's Stand (A) to the top of the non-winch end volleyball post. Make sure the Official's Stand (A) is level. Turn the clamp knob hand tight clockwise until the Official's Stand (A) is securely clamped to the volleyball post.

