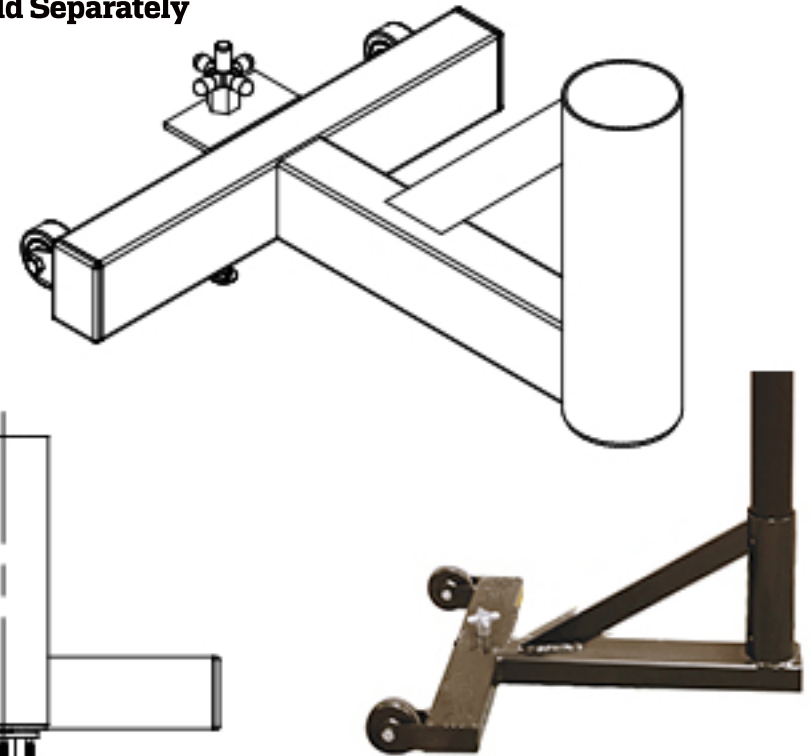
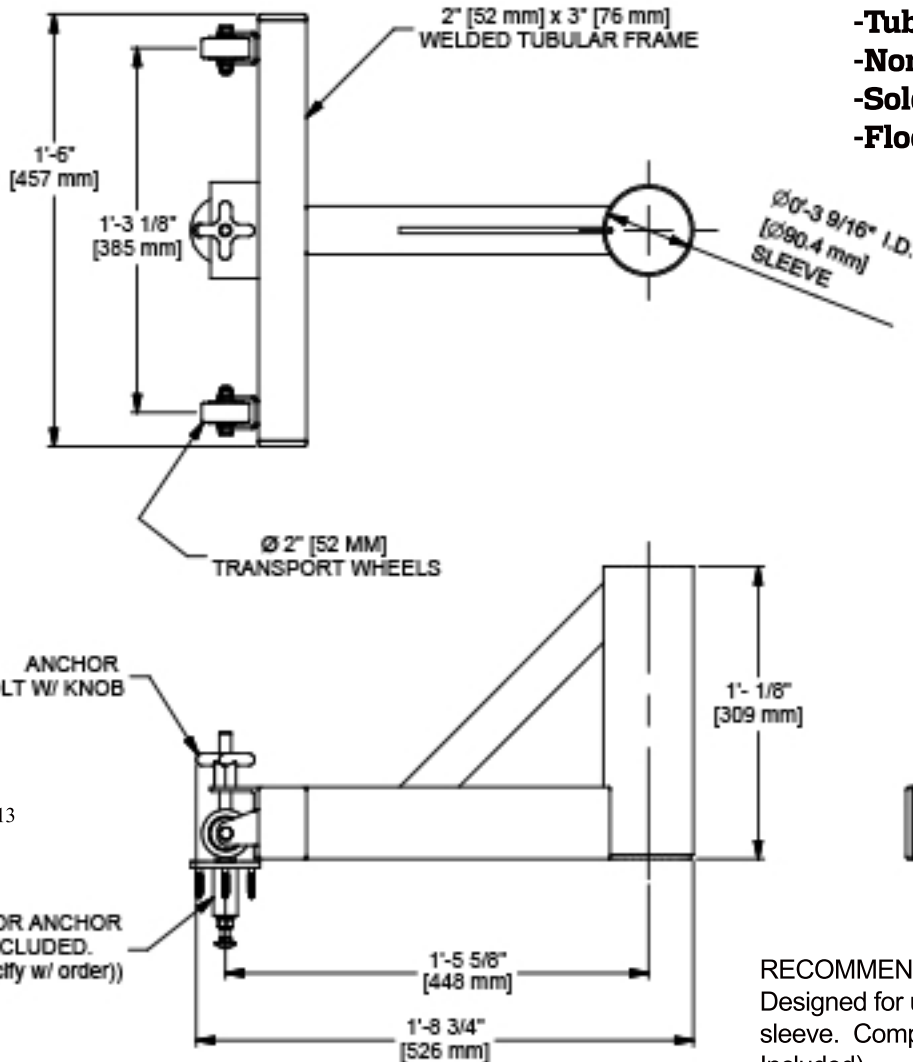


## T-Base Single Anchor Above Ground Bolt Down Sleeve

- Sleeve fits 3-1/2" OD Poles.
- Tubular Black Steel Welded Frame
- Non-Marking Wheels
- Sold Individually
- Floor Anchors Sold Separately



### RECOMMENDED APPLICATION

Designed for use in facilities where a sub-floor structure is not adequate to accommodate the installation of a floor sleeve. Compatible with 3-1/2" OD Volleyball Systems and 3" OD Volleyball Systems with a Sleeve Reducer (Not Included).

### SPECIFICATIONS

T-base shall be constructed of welded steel tubing with a black powder coat finish. Sleeve is capable of accepting a 3 1/2" [89 mm] diameter volleyball post. The gross dimensions will be 12" high x 20 3/4" long x 18" wide.

2" [52 mm] non-marking transport wheels are included. T-base is securely locked in place with a 1/2"-13 threaded rod on a hand knob and screws into a 1/2"-13, floor anchor. (Sold Separately)